

Y-Distributor M12 male / M8 female 0° A-cod.

PUR 3x0.25 bk UL/CSA+drag ch. 3m

Art.No.: 7000-40821-6300300

Weight: 0.169 kg

Country of origin: DE

Model designation: MSAYTL0-FR630_3.0-FR630_3.0

Y-connector M12 – M8, 4/3-pole

Male straight – females straight

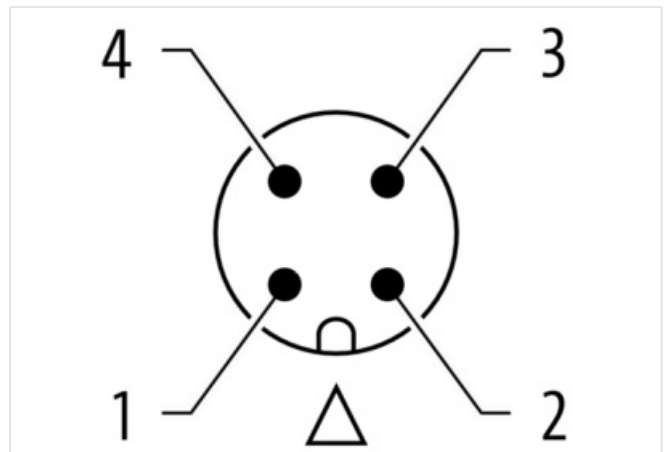
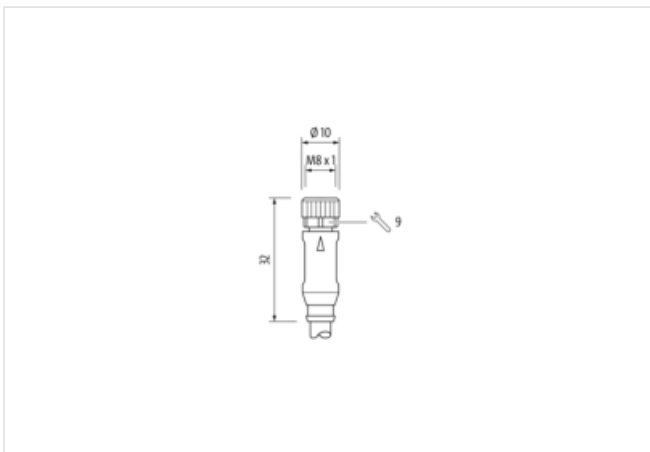
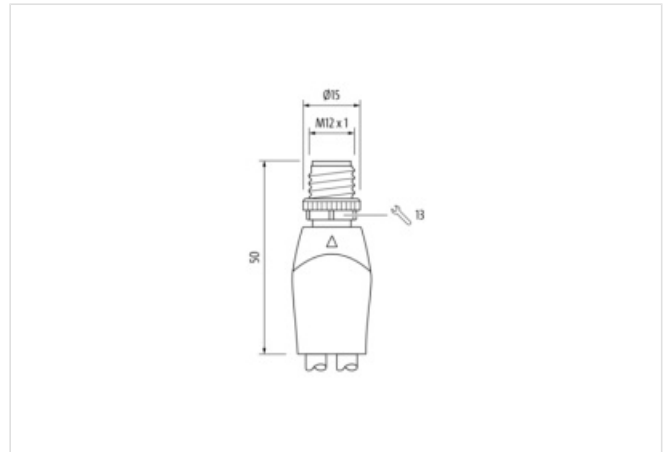
M12, A-coded

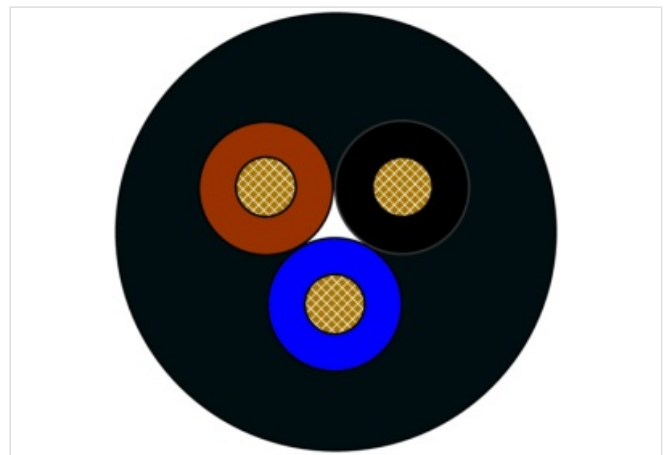
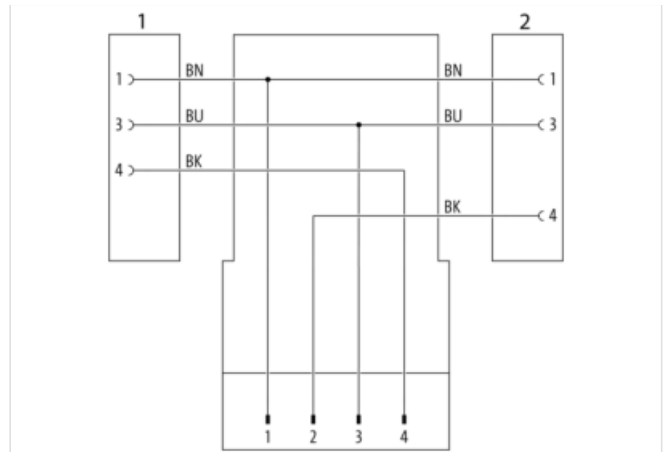
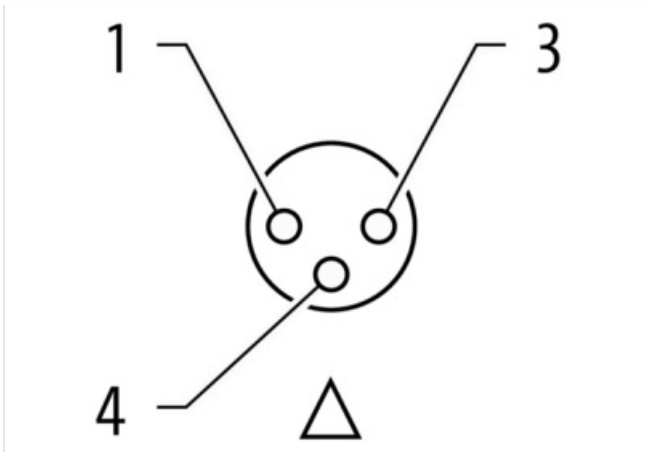
Art-No. 7005 - M12/M8 Lite - (plastic hexagonal screw) on request

Plastic housings with good resistance against chemicals and oils.

The resistance to aggressive media should be individually tested for your application. Further details on request.

Further cable lengths on request.

[Link to Product](#)**Illustration**



Product may differ from Image



| | |
|---|-------------------|
| Cable length | 3,00 m |
| Side 1 | |
| Family construction form | M8 |
| No. of poles | 3 |
| Coding | A |
| Gender | female |
| Mounting method | inserted, screwed |
| Threaded hole | M8 x 1 |
| Tightening torque | 0,4 Nm |
| Width across flats | SW9 |
| Cable outlet | straight |
| suitable for corrugated tube (internal Ø) | 6,5 mm |
| Material | PUR |
| Material contact | Copper alloy |
| Coating contact | gold plated |
| Degree of protection (EN IEC 60529) | IP67, IP66K, IP65 |

| | |
|--------------------------|----|
| Side 2 | |
| Family construction form | M8 |

| | |
|---|-------------------|
| No. of poles | 3 |
| Coding | A |
| Gender | female |
| Mounting method | inserted, screwed |
| Threaded hole | M8 x 1 |
| Tightening torque | 0,4 Nm |
| Width across flats | SW9 |
| Cable outlet | straight |
| suitable for corrugated tube (internal Ø) | 6,5 mm |
| Material | PUR |
| Material contact | Copper alloy |
| Coating contact | gold plated |
| Degree of protection (EN IEC 60529) | IP67, IP66K, IP65 |

Side 3

| | |
|-------------------------------------|-------------------|
| Family construction form | M12 |
| No. of poles | 4 |
| Coding | A |
| Gender | male |
| Mounting method | inserted, screwed |
| Threaded hole | M12 x 1 |
| Tightening torque | 0,6 Nm |
| Width across flats | SW13 |
| Cable outlet | straight |
| Material | PUR |
| Material contact | Copper alloy |
| Coating contact | gold plated |
| Degree of protection (EN IEC 60529) | IP67, IP66K, IP65 |

Commercial data

| | |
|-----------------------|---|
| URL Webshop | https://shop.murrelektronik.com/7000-40821-6300300 |
| GTIN | 4048879154161 |
| ECLASS-6.0 | 27279218 |
| ECLASS-6.1 | 27279218 |
| ECLASS-7.0 | 27279218 |
| ECLASS-7.1 | 27279218 |
| ECLASS-8.0 | 27279218 |
| ECLASS-8.1 | 27279218 |
| ECLASS-9.0 | 27060313 |
| ECLASS-9.1 | 27060313 |
| ECLASS-10.0.1 | 27060313 |
| ECLASS-10.1 | 27060313 |
| ECLASS-11.0 | 27060313 |
| ECLASS-11.1 | 27060313 |
| ECLASS-12.0 | 27060313 |
| ECLASS-13.0 | 27060313 |
| ECLASS-14.0 | 27060313 |
| ETIM-5.0 | EC001855 |
| ETIM-6.0 | EC001855 |
| ETIM-7.0 | EC001855 |
| ETIM-8.0 | EC001855 |
| customs tariff number | 85444290 |
| EAN | 4048879154161 |
| Packaging unit | 1 |

Electrical data | Supply

| | |
|------------------------------------|------|
| Operating voltage AC max. | 50 V |
| Operating voltage DC max. | 60 V |
| Current operating per contact max. | 4 A |
| Operating voltage AC (UL-listed) | 30 V |
| Operating voltage DC (UL-listed) | 30 V |

Diagnostics

| | |
|-----------------------|----|
| Status indication LED | No |
|-----------------------|----|

Device protection | Electrical

| | |
|--|-------------------|
| Additional condition protection degree | inserted, screwed |
| Pollution Degree | 3 |
| Rated surge voltage | 1,5 kV |
| Material group (IEC 60664-1) | I |

Mechanical data | Material data

| | |
|------------------|------------------|
| Locking material | Zinc die-casting |
| Coating locking | Nickeled |
| Gasket | FKM |

Mechanical data | Mounting data

| | |
|-----------------|---------------------------------------|
| Mounting method | inserted, screwed, Shaking protection |
|-----------------|---------------------------------------|

Environmental characteristics | Climatic

| | |
|--|----------------------------|
| Operating temperature min. | -30 °C |
| Operating temperature max. | 85 °C |
| Additional condition temperature range | depending on cable quality |

Important installation notes

| | |
|------------------------|---|
| Note on bending radius | Attention: Observe the permissible bending radii when laying cables, as the IP protection class can be endangered by excessive bending forces. |
| Note on strain relief | Protect the connectors by suitable measures from mechanical loads, e.g. by the usage of cable ties. |

Conformity

| | |
|------------------|---|
| Product standard | EN IEC 61076-2-101 (M12), EN/IEC 61076-2-104 (M8) |
|------------------|---|

Installation | Cable

| | |
|--|--|
| Cable identification | 630 |
| Cable Type | 3 |
| Stranding | 1 × 3 wires stranded |
| Wire arrangement | brown, black, blue |
| Cable weight | 24 g/m |
| Material wire insulation | PP |
| Amount wires | 3 |
| Outer diameter insulation | 1,25 mm |
| Outer diameter tolerance core insulation | ± 0,05 mm |
| Shore hardness wire insulation | 70 ± 5 Shore D |
| Conductor crosssection (wire) | 0,25 mm ² |
| Material conductor wire | Stranded copper wire, bare |
| Amount strands (wire) | 32 |
| Diameter of single wires | 0,1 mm |
| Ingredient freeness wire insulation | lead-free, cadmium-free, CFC-free, halogen-free, silicone-free |
| Conductor type (wire) | strand class 6 |
| Outer-diameter (jacket) | 4,1 mm |
| Tolerance outer diameter (sheath) | ± 5 % |
| Material jacket | PUR |
| Shore hardness jacket | 90 ± 5 Shore A |
| Freedom from ingredients (jacket) | lead-free, cadmium-free, CFC-free, halogen-free, silicone-free |
| Material property (jacket) | abrasion-resistant, low adhesion, good machinability, matte |

| | |
|---|---|
| Conductor resistance (wire) | 79 Ω/km @ 20 °C |
| Nominal voltage max. | 300 V |
| Withstand voltage (wire - wire) | 2.5 kV @ 60 s |
| Withstand voltage (wire - jacket) | 2.5 kV @ 60 s |
| Current load capacity (standard) | to DIN VDE 0298-4 |
| Current load capacity max. (wire) | 4,5 A |
| Operating temperature min. (static) | -40 °C |
| Operating temperature max. (static) | 80 °C / 90 °C @ 10000 h Operation |
| Operating temperature min. (dynamic) | -25 °C |
| Operating temperature max. (dynamic) | 80 °C / 90 °C @ 10000 h Operation |
| Operating temperature min. (drag chain) | -25 °C |
| Operating temperature max. (drag chain) | 80 °C / 90 °C @ 10000 h Operation |
| Flame resistance | UL 1581 § 1090, CSA FT2, IEC 60332-2-2 |
| Oil resistance | IEC 60811-404 |
| Chemical resistance | good |
| Other resistances | good resistance to gasoline, resistant to hydrolysis, resistant to microbes |
| Bending radius (fixed) | 5 × Outer diameter |
| Bending radius (dynamic) | 10 × Outer diameter |
| No. of bending cycles (C-track) | 10 Mio. @ 25 °C |
| Traversing distance (C-track) | 10 m @ 25 °C horizontal |
| Travel speed (C-track) | 3 m/s @ 25 °C |
| Acceleration (C-track) | 10 m/s ² @ 25 °C |
| No. of torsion cycles | 2 Mio. |
| Torsion stress | ± 180 °/m |
| Torsion speed | 35 cycles/min |