

## IO-Link/Analog Wandler

AI Multi U/I , M12, Single-Wire

Art.No.: 5000-01501-1300001

Weight: 0.045 kg

Country of origin: DE

Model designation: IOL AI-U/I-V2-MULT-PAR S/W

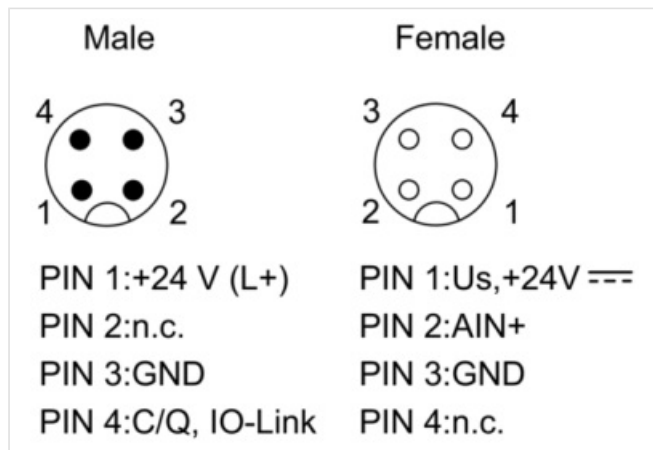
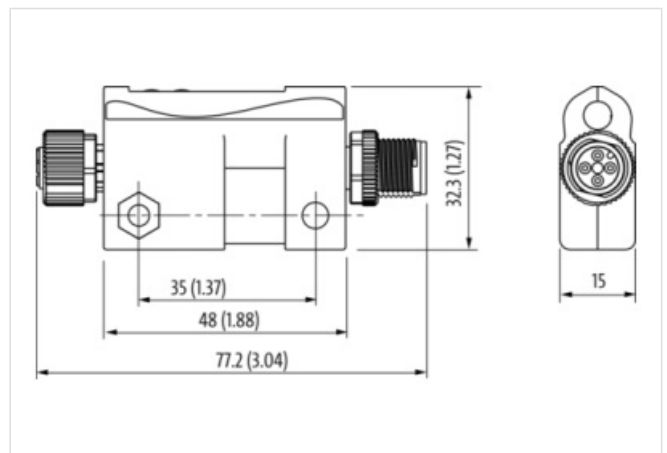
IO-Link / analog converter

AI Multi U/I, M12, Single Wire

16Bit, IP65/67, IO-Link V1.1, Class A

### Link to Product

#### Illustration



Product may differ from Image



#### Commercial data

URL Webshop	<a href="https://shop.murrelektronik.com/5000-01501-1300001">https://shop.murrelektronik.com/5000-01501-1300001</a>
GTIN	4048879797269
Customs tariff number	85437090
ECLASS-6.0	27242601

The information in this Product-PDF has been compiled with the utmost care.

Liability for the correctness completeness and topicality of the information is restricted to gross negligence. Version: 2026-04-30

Murrelektronik GmbH | Grabenstraße 29 | 71570 Oppenweiler | Fon +49 (71 91) 47-0 | Fax +49 (71 91) 47-491000 | [shop@murrelektronik.com](mailto:shop@murrelektronik.com) | [shop.murrelektronik.com](http://shop.murrelektronik.com)

ECLASS-6.1	27242602
ECLASS-7.0	27242602
ECLASS-7.1	27242602
ECLASS-8.0	27242602
ECLASS-8.1	27242602
ECLASS-9.0	27242602
ECLASS-9.1	27242602
ECLASS-10.0.1	27242602
ECLASS-10.1	27242602
ECLASS-11.0	27242602
ECLASS-11.1	27242602
ECLASS-12.0	27242602
ECLASS-13.0	27242602
ECLASS-14.0	27242602
ETIM-5.0	EC001596
ETIM-6.0	EC001596
ETIM-7.0	EC001596
ETIM-8.0	EC001596
customs tariff number	85437090
EAN	4048879797269
Packaging unit	1

**Electrical data | Supply**

Norm operating voltage	IEC/EN 61131-2
Operating voltage DC	24 V
Operating voltage DC min.	18 V
Operating voltage DC max.	30 V
Operating voltage US DC	24 V
Current consumption max.	30 mA

**Electrical data | Input**

Current carrying capacity max.	0,2 A
Parameterizable input averaging filter process data	Yes
Conversion time with net suppression	OFF: 10 ms, 50 Hz: 60 ms, 60 Hz: 100 ms

**Industrial communication | IO-Link**

Port Class	A
revision ID	V1.1
transmission rate	COM2 (38.4 kbit/s)
process data length input	2 bytes
cycle time min.	2,3 ms

**Diagnostics**

Short circuit diagnosis	Yes
Overload diagnosis	Yes
Temperature control	Yes
Diagnostic via IO-Link	Yes
Diagnostic via LED	Yes
LED display	Ethernet connection/data traffic
IO-Link events	Undervoltage supply, lower limit, upper limit, Overvoltage supply, Overtemperature, Device defect

**Device protection | Electrical**

Degree of protection (EN IEC 60529)	IP67, IP65
Invers-polarity protection	Yes
Over voltage protection	Yes
Short circuit protection sensor supply	Yes
Resistance to loads with regenerative power	Yes

**Mechanical data | Material data**

housing	Plastic
---------	---------

**Mechanical data | Mounting data**

Height	32,3 mm
Width	77,2 mm
Depth	15 mm

**Environmental characteristics | Climatic**

Operating temperature min.	-30 °C
Operating temperature max.	70 °C
Ambient temperature (storage, transport)	-40 °C ... 85 °C

**Connection type 2**

Family construction form	M12
No. of poles	4
Coding	A
Gender	female
PIN 1	24 V DC (US)
PIN 2	A +
PIN 3	0 V (Analog US)
PIN 4	n.c.
Family construction form	M12
No. of poles	4
Coding	A
Gender	male
PIN 1	24 V DC (L +)
PIN 2	n.c.
PIN 3	0 V (L -)
PIN 4	C / Q / IO-Link